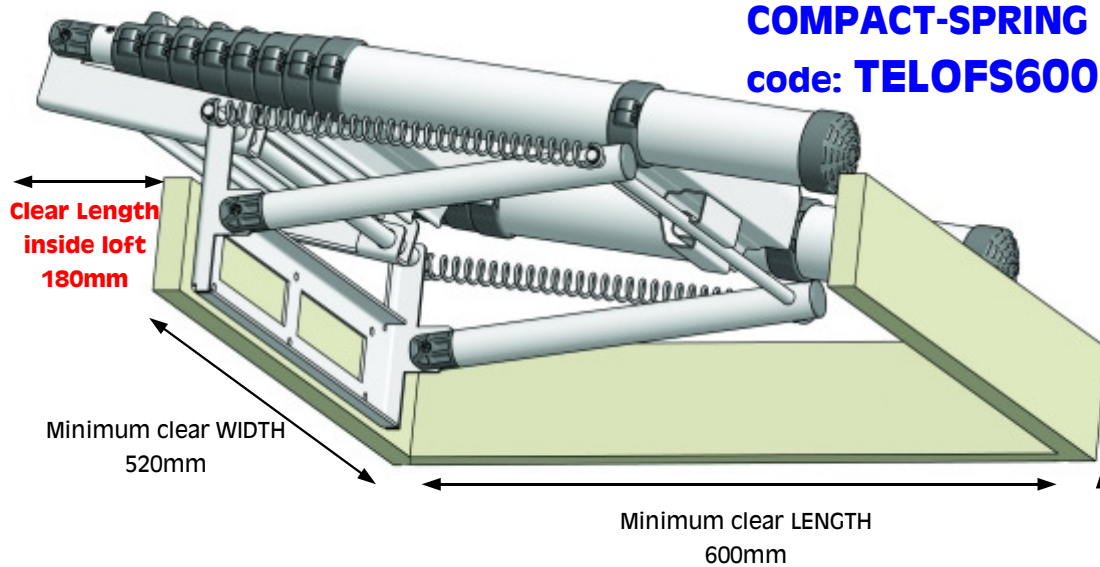


# TELESTEPS LOFT LADDERS

TELESCOPIC LOFT LADDERS ...  
SO SIMPLE TO FIT - SO LOVELY TO USE



**Simple to fit** - just 6 screws through holes in mounting bracket.  
**Bracket dimensions** - 440mm wide x 90mm high.  
**Overall ladder width including springs** - 515mm  
**Comfortable Rungs** - Non-slip ribbed treads 90mm deep (3½").  
**Max Safe Load** - 150kg (23.5 stones)



**COMPACT-SPRING MODEL**  
code: **TELOFS600**



MINIMUM Floor - Ceiling HEIGHT 2.35m  
MAXIMUM Floor - Ceiling HEIGHT 2.45m

See our excellent website at  
[www.ladders999.co.uk](http://www.ladders999.co.uk)

for prices of these and our huge range  
of ladders, steps, podium steps  
and scaffold towers



UNITS 2 & 10 CHANCEL CLOSE TRADING ESTATE  
EASTERN AVENUE **GLOUCESTER** GL4 3SN  
FAX : 01452 505580  
**TEL: 01452 520144**

All prices, details and specifications are subject to change without notice and are those ruling at date of order. E&OE.

[www.ladders999.co.uk](http://www.ladders999.co.uk) [sales@lansfordaccess.co.uk](mailto:sales@lansfordaccess.co.uk)

# TELESTEPS LOFT LADDERS

TELESCOPIC LOFT LADDERS ...  
SO SIMPLE TO FIT - SO LOVELY TO USE

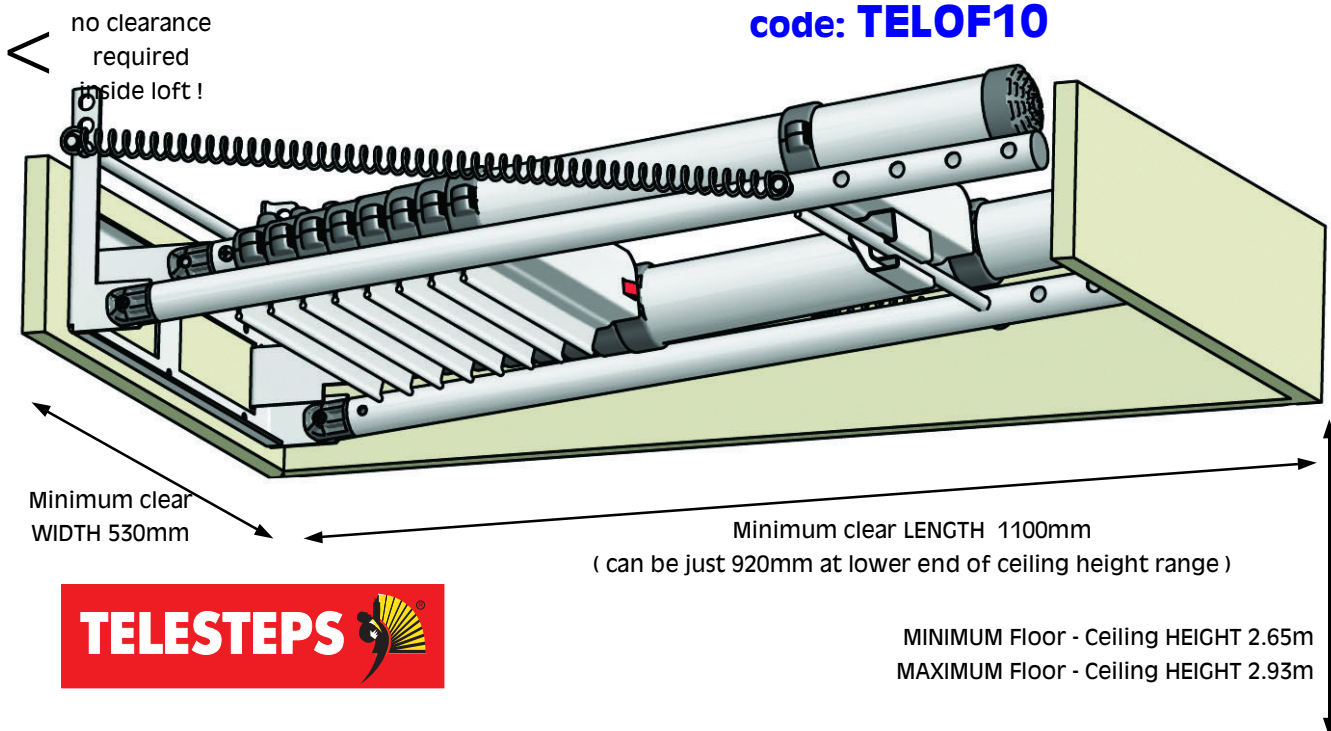


**Simple to fit** - just 6 screws through holes in mounting bracket.  
**Bracket dimensions** - 440mm wide x 90mm high.  
**Overall ladder width including springs** - 515mm  
**Comfortable Rungs** - Non-slip ribbed treads 90mm deep (3½").  
**Max Safe Load** - 150kg (23.5 stones)



[www.ladders999.co.uk](http://www.ladders999.co.uk)

## ADJUSTABLE HEIGHT MODEL code: TELOF10



See our excellent website at  
[www.ladders999.co.uk](http://www.ladders999.co.uk)  
 for prices of these and our huge range  
 of ladders, steps, podium steps



UNITS 2 & 10 CHANCEL CLOSE TRADING ESTATE  
 EASTERN AVENUE GLOUCESTER GL4 3SN  
 FAX : 01452 505580  
**TEL: 01452 520144**

All prices, details and specifications are subject to change without notice and are those ruling at date of order. E&OE.

[www.ladders999.co.uk](http://www.ladders999.co.uk) [sales@lansfordaccess.co.uk](mailto:sales@lansfordaccess.co.uk)