

"HIGH-CLEARANCE " ALLOY SCAFFOLDS



KLICK HI-CLEAR UNIT

- ▶ An industrial duty scaffold to span over immovable objects such as desks, hedges, conveyors to give safe access above.
- ▶ Full guardrail safety for workers together with inclined ladder and hinged gate for easy access.
- ▶ Fully mobile with locking castors and adjustable height legs for uneven ground conditions.
- ▶ Clear height under platform 1.30m.
- ▶ Standing platform height 1.40m (gives working/reach heights up to 3.40m).
- ▶ Overall unit height 2.60m. Overall unit width 0.76m.
- ▶ Choice of 3 lengths - 2.0m ; 2.5m ; 3.0m.
- ▶ Manufactured under and certified to a TUV ISO9001: 2000 quality system.
- ▶ Optional extras include Toeboard Assembly (softwood or plywood) and Base Plates (instead of castors).



OMEGADECK 250

- ▶ An industrial duty scaffold to span over immovable objects such as desks, hedges, conveyors to give safe access above.
- ▶ Height of platform adjusts to suit your requirements - max 1.70m clearance height under platform.
- ▶ Full guardrail safety for up to 2 workers on platform together.
- ▶ Fully mobile with locking castors.
- ▶ Clear height under platform up to max 1.70m - can be on lower rungs to suit job in hand.
- ▶ Standing platform height max 1.80m (gives working/reach heights up to max 3.80m).
- ▶ Overall unit height max 2.80m (can be lower). Overall unit width 0.85m.
- ▶ Choice of 3 lengths - standard length 2.5m (3.85m overall length) ; plus by special order - 1.5m & 3.0m lengths.
- ▶ Manufactured under a BSI ISO9001 quality system and is compliant with the load safety factor requirements of BS EN1004.

A current, detailed
price list
can be printed from our web site
www.ladders999.co.uk

Please order at our national sales office in Bristol



HEAD OFFICE (HIRE & SALE)
UNIT 10 CHANCEL CLOSE
EASTERN AVENUE
GLOUCESTER GL4 3SN
FAX : 01452 308369

TEL: 01452 520144

NATIONAL SALES OFFICE -
8A EAST PARK TRAD ESTATE
GORDON ROAD FISHPONDS
BRISTOL BS5 7DR
FAX : 0117 951 5682

TEL: 0117 935 4664

www.ladders999.co.uk sales@lansfordaccess.co.uk

" KLIK HI-CLEAR UNIT " HIGH-CLEARANCE ALLOY SCAFFOLD



- ▶ An industrial duty scaffold to span over immovable objects such as desks, hedges, conveyors to give safe access above.
- ▶ Full guardrail safety for workers together with inclined ladder and hinged gate for easy access.
- ▶ Fully mobile with locking castors and adjustable height legs for uneven ground conditions.
- ▶ Clear height under platform 1.30m.
- ▶ Standing platform height 1.40m (gives working/reach heights up to 3.40m).
- ▶ Overall unit height 2.60m. Overall unit width 0.76m.
- ▶ Choice of 3 lengths - 2.0m ; 2.5m ; 3.0m.
- ▶ Manufactured under and certified to a TUV ISO9001: 2000 quality system.
- ▶ Optional extras include Toeboard Assembly (softwood or plywood) and Base Plates (instead of castors).



Klik Hi-Clear Scaffold Tech Specs	
Appx Working Height - max	3400mm
Platform Height	1400mm
Clear Height below platform	1300mm
Overall Unit Height	2600mm
Overall Unit Width	760mm
Safe Working Load max	250kg
Length Options	
2.0m unit Overall Length	2380mm
2.0m unit Clear Length under platform	1600mm
2.5m unit Overall Length	2880mm
2.5m unit Clear Length under platform	2100mm
3.0m unit Overall Length	3380mm
3.0m unit Clear Length under platform	2600mm

A current, detailed
price list
can be printed from our web site
www.ladders999.co.uk

Please order at our national sales office in Bristol



HEAD OFFICE (HIRE & SALE)
UNIT 10 CHANCEL CLOSE
EASTERN AVENUE
GLOUCESTER GL4 3SN
FAX : 01452 308369

NATIONAL SALES OFFICE -
8A EAST PARK TRAD ESTATE
GORDON ROAD FISHPONDS
BRISTOL BS5 7DR
FAX : 0117 951 5682

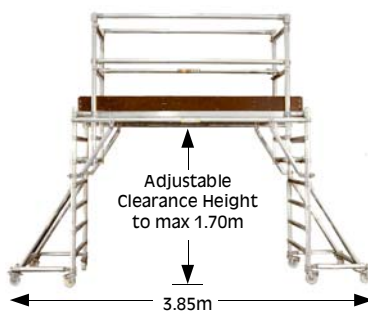
TEL: 01452 520144 TEL: 0117 935 4664

www.ladders999.co.uk sales@lansfordaccess.co.uk

" OMEGADECK 250 " HIGH-CLEARANCE ALLOY SCAFFOLD



- ▶ An industrial duty scaffold to span over immovable objects such as desks, hedges, conveyors to give safe access above.
- ▶ Height of platform adjusts to suit your requirements - max 1.70m clearance height under platform.
- ▶ Full guardrail safety for up to 2 workers on platform together.
- ▶ Fully mobile with locking castors.
- ▶ Clear height under platform up to max 1.70m - can be on lower rungs to suit job in hand.
- ▶ Standing platform height max 1.80m (gives working/reach heights up to max 3.80m).
- ▶ Overall unit height max 2.80m (can be lower). Overall unit width 0.85m.
- ▶ Choice of 3 lengths - standard length 2.5m (3.85m overall length) ; plus by special order - 1.5m & 3.0m lengths.
- ▶ Manufactured under a BSI ISO9001 quality system and is compliant with the load safety factor requirements of BS EN1004.



Omegadeck 250 Tech Specs	
Appx Working Height - max	3800mm or lower
Platform Height (adjustable)	1800mm or lower
Clear Height below platform (adjustable)	1700mm or lower
Overall Unit Height (adjustable)	2800mm or lower
Overall Unit Width	850mm
Overall Length of 2.5m unit	3854mm
Clear Length under platform of 2.5m unit	2450mm
Safe Working Load max	225kg

A current, detailed
price list
can be printed from our web site
www.ladders999.co.uk

Please order at our national sales office in Bristol



HEAD OFFICE (HIRE & SALE)
UNIT 10 CHANCEL CLOSE
EASTERN AVENUE
GLOUCESTER GL4 3SN
FAX : 01452 308369

NATIONAL SALES OFFICE -
8A EAST PARK TRAD ESTATE
GORDON ROAD FISHPONDS
BRISTOL BS5 7DR
FAX : 0117 951 5682

TEL: 01452 520144 TEL: 0117 935 4664

www.ladders999.co.uk sales@lansfordaccess.co.uk