

# KLIFOLD INDUSTRIAL FOLDING ALLOY SCAFFOLD PLATFORM



- ▶ For all those tight corners where height and space are limited, you can gain speedy, easy access with **KLIFOLD** - the essential 2.0m long low-level platform.
- ▶ **KLIFOLD** is the big brother of MINIFOLD, giving several advantages - longer platform, increased strength and safe working load, option for adjustable legs to level unit on uneven ground, option for toeboards, stabilisers, and height extension packs.
- ▶ Ideal for one-man use - unfold the unit, fit the platform and start work!
- ▶ Easily portable and manoeuvrable, either open or closed, the unit passes easily through standard doorways.
- ▶ Both lightweight and robust for heavy Industrial use - max safe working load 250kg / 39.3stones.
- ▶ Provides a working platform 1.96m / 6' 5" long and 0.72m / 2' 5" wide.
- ▶ Six optional platform levels between 0.24m and 1.74m will suit most requirements, giving working heights from 1.7m up to 3.7m / 12ft.
- ▶ **KLIFOLD STANDARD** comprises one folding frame, one trapdoor platform and four 5" diameter locking castors.
- ▶ **KLIFOLD SUPER** comprises one folding frame, one trapdoor platform, four heavy-duty 5" diameter locking castors and adjustable legs for levelling on uneven ground.



## Versatile choice of platform levels -

KLIFOLD has six rungs at 300mm / 12" intervals.

Trapdoor platform can be located on any of these rungs to give exactly the right height for all work locations.

Rung six gives a platform height 1.74m / 5' 9" enabling work heights to be reached up to 3.7m / 12ft.

**Note:** Latest HSE guidance requires guardrails to be fitted for increased employee safety when platform is on upper rungs.

- ▶ When not in use and the frame unit is folded, the platform can be hooked onto the folding frames for compact storage and convenient manoeuvring between locations.
- ▶ Trapdoor Platform supplied with every **KLIFOLD** aids safety by keeping user's weight inside scaffold when ascending and descending. Particularly useful when platform is on upper rungs - then probably fitted with optional Guardrail Section.
- ▶ Manufactured to a TUV certified ISO9002 quality system.
- ▶ Wide range of optional extras available to make **KLIFOLD** suitable for use in all situations - Guardrail Sections, Toeboard Pack; Height Extension Packs; Stabilisers.



# KLIKFOLD INDUSTRIAL FOLDING ALLOY SCAFFOLD PLATFORM

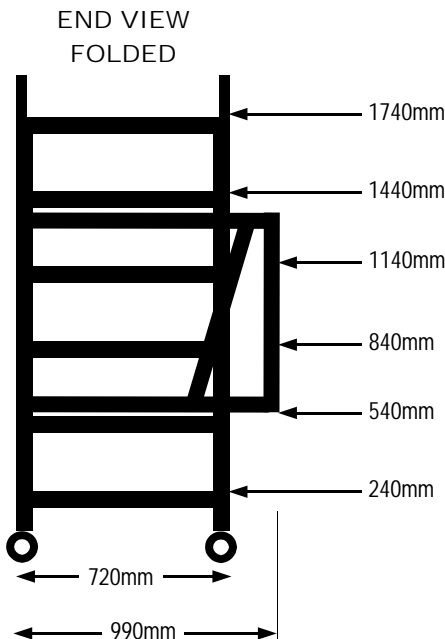


## KLIKFOLD key dimensions :

### for Working Heights 1.7m up to 3.7m

Overall Unit Height	1910mm	6' 3"
Overall Unit Length	1960mm	6' 5"
Overall Unit Width OPEN	720mm	2' 5"
Overall Unit Width FOLDED	990mm	3' 3"
Overall Unit Depth FOLDED	200mm	0' 8"
Rung Spacing	300mm	1' 0"
Platform Height Rung 6	1740mm	5' 9"
Platform Height Rung 5	1440mm	4' 9"
Platform Height Rung 4	1140mm	3' 9"
Platform Height Rung 3	840mm	2' 9"
Platform Height Rung 2	540mm	1' 9"
Platform Height Rung 1	240mm	0' 9"
Safe Working Load	250kg / 39.3 stones	

Easily portable and manoeuvrable, either open or closed, the unit passes through standard doorways and corridors. Platform will hook onto frame for ease of movement when folded if required.



## KLIKFOLD ALLOY SCAFFOLD PLATFORM - 1.96m long x 0.7m wide

code		Weight
<b>E2KFOLD</b>	<b>KLIKFOLD STANDARD</b> c/w castors & trap platform	41kg
<b>E2KFOLD2</b>	<b>KLIKFOLD SUPER</b> c/w heavy-duty castors; adjustable legs for levelling on uneven ground; trap platform	50kg
<b>Optional Items</b>		
<b>E2KFGRS</b>	<b>KLIKFOLD Guardrail Section</b> (2 Frames & 4 Horiz Braces)	12kg
<b>E2KFGRU</b>	<b>KLIKFOLD One-Piece Folding 3Rung Guardrail Unit &amp; 2 Braces</b>	15kg
<b>E2KFTBP</b>	<b>KLIKFOLD Timber Toeboard Pack</b>	9.5kg
<b>E2KF4REP</b>	<b>KLIKFOLD 4 Rung Height Extension Pack</b> - gives platform heights up to 2.9m - c/w 2 x 4Rung Frames; 3 Diagonal Braces; 1 Horizontal Brace; 4 Small Stabilisers	30kg
<b>E2KF6REP</b>	<b>KLIKFOLD 6 Rung Height Extension Pack</b> - gives platform heights up to 3.6m - c/w 2 x 6Rung Frames; 4 Diagonal Braces; 1 Horizontal Brace; 4 Small Stabilisers	32kg
<b>E2BKH1</b>	<b>KLIKFOLD Horizontal (Guardrail) Brace</b> (each)	1.7kg
<b>E2KFSTAB</b>	<b>KLIKFOLD Small Stabiliser</b> (each) - smaller than standard tower stabs - may be required if platform is on upper rungs	3kg

A current, detailed  
**price list**  
can be printed from our web site  
[www.ladders999.co.uk](http://www.ladders999.co.uk)

Please order at our national sales office in Bristol



HEAD OFFICE (HIRE & SALE)  
UNIT 10 CHANCEL CLOSE  
EASTERN AVENUE  
**GLOUCESTER** GL4 3SN  
FAX : 01452 308369

NATIONAL SALES OFFICE -  
8A EAST PARK TRAD ESTATE  
GORDON ROAD FISHPONDS  
**BRISTOL** BS5 7DR  
FAX : 0117 951 5682

**TEL: 01452 520144 TEL: 0117 935 4664**

[www.ladders999.co.uk](http://www.ladders999.co.uk) [sales@lansfordaccess.co.uk](mailto:sales@lansfordaccess.co.uk)