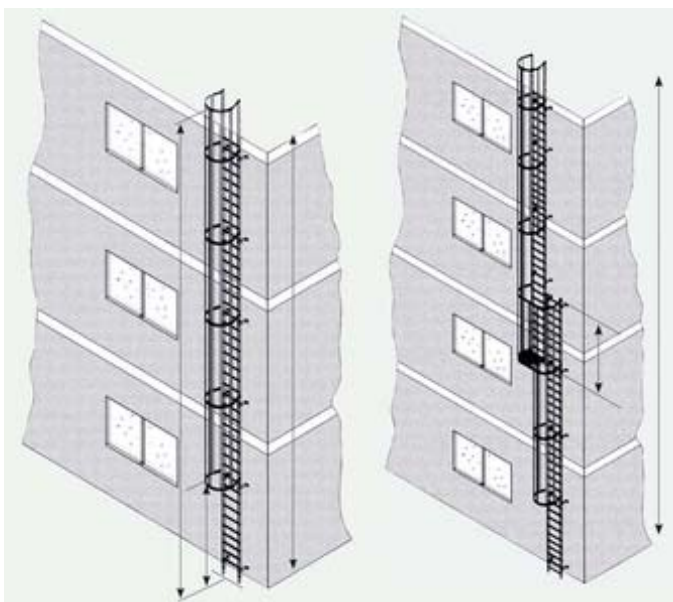


FIXED VERTICAL Access Ladders



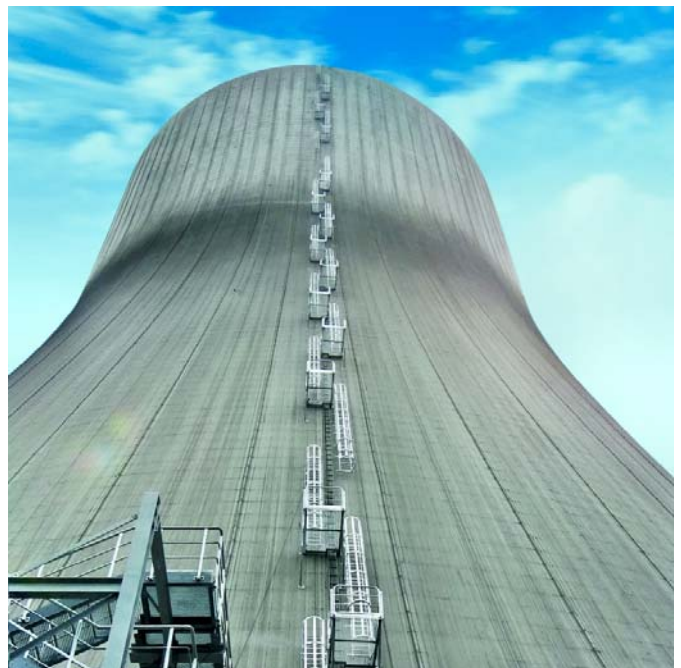
Wide choice of materials, safety equipment, decks and top exits

- A range of vertical access ladders manufactured to comply with UK regulations.
- Choice of materials—natural aluminium, or galvanised steel.
- Safety hoops or Arrestor rail.
- Supplied in flat-pack modular form for assembly on site.
- Single length or multi –section with off-set cross-over platforms.
- Ladder width 520mm; rung pitch 280mm, back hoops 700mm diam.
- In accordance with EN14122 & EN18799.
- Wide range of accessories to suit all locations
- Option for installation in many areas
- **Standard Complete Kits detailed overleaf for easy online ordering**



Single Section & Multi Section

From the BASIC to the COMPLEX !!
.... all locations catered for



Standard Kits priced & specified ready for
 online ordering on our website
www.ladders999.co.uk
 with fast delivery from UK stock



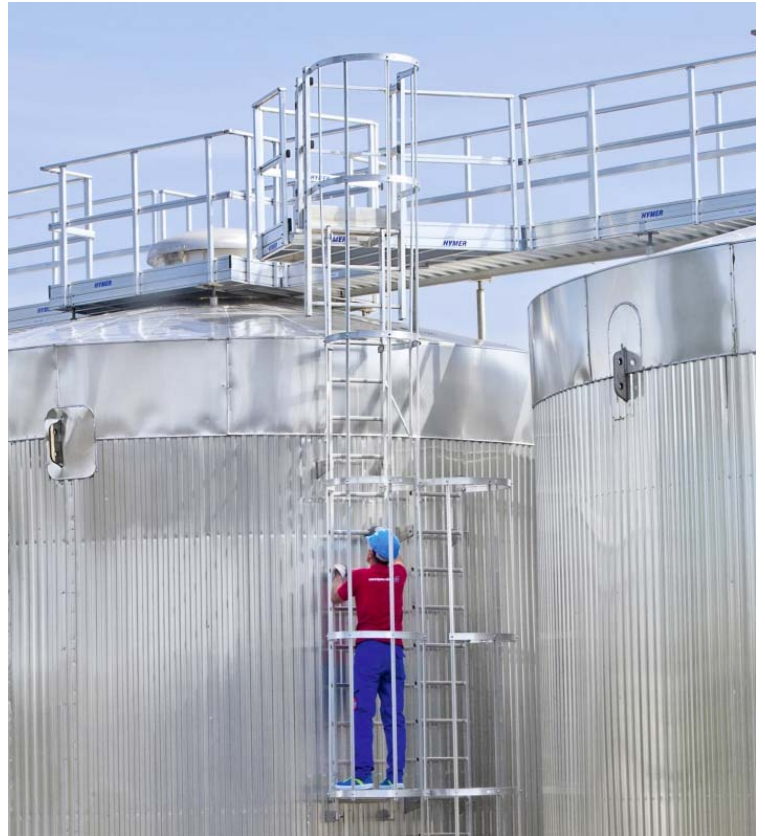
UNITS 2 & 10 CHANCEL CLOSE TRADING ESTATE
 EASTERN AVENUE **GLOUCESTER** GL4 3SN
 FAX : 01452 505580

TEL: 01452 520144

www.ladders999.co.uk sales@lansfordaccess.co.uk

All prices, details and specifications are subject to change without notice and are those ruling at date of order. E&OE.

FIXED VERTICAL Access Ladders



Standard Kits priced & specified ready for
online ordering on our website
www.ladders999.co.uk
with fast delivery from UK stock



UNITS 2 & 10 CHANCEL CLOSE TRADING ESTATE
EASTERN AVENUE **GLOUCESTER** GL4 3SN
FAX : 01452 505580

TEL: 01452 520144

All prices, details and specifications are subject to change without notice and are those ruling at date of order. E&OE.

www.ladders999.co.uk sales@lansfordaccess.co.uk

FIXED VERTICAL Access Ladders

STANDARD COMPLETE KITS — Ladder & Brackets only (no Hoops)

* Note: Fixed ladders above 3.0m should have hoops or arrestor device fitted unless risk assessment decides not suitable (no space etc).



ALLOY LADDERS & COMPONENTS		Ladder & Brackets only (no Hoops)					
Access Height (m) & Kit Code >>	Up to 1.96m HALO196	1.97 - 2.80m HALO280	2.81 - 3.64m HALO364	3.65 - 5.60m HALO560	5.61 - 7.28m HALO728	7.29 - 8.40m HALO840	8.41 - 9.24m HALO924
Alloy Ladder 1.96m 7R H00904	1	-	-	-	-	-	-
Alloy Ladder 1.12m 4R H00906	-	-	-	-	-	-	-
Alloy Ladder 2.80m 10R H00907	-	1	-	2	-	3	2
Alloy Ladder 3.64m 13R H00909	-	-	1	-	2	-	1
Ladder Connector set H01022	-	-	-	1	1	2	2
Wall Hook 210mm std H50139	4	4	6	8	10	10	12
Narrow Straight Exit H53291	-	-	-	-	-	-	-
Wide Exit Cage Clamp H54050	-	-	-	-	-	-	-
Narrow Exit Cage Clamp 54051	-	-	-	-	-	-	-
Safety Cage Clamp H51600	-	-	-	-	-	-	-
Safety Cage Brace 3.0m H02272	-	-	-	-	-	-	-
Diagonal Brace H53340	-	-	-	-	-	-	-
Narrow Exit Step H54038	-	-	-	-	-	-	-
Plug H77059	2	2	2	2	2	2	2
Cage Brace Connector H50255	-	-	-	-	-	-	-
Wide Exit + 725 Crossover H54056	-	-	-	-	-	-	-

customer to cut ladders to exact size on site
OPTIONS: factory cutting to required length ; painting ; installation All available on request - POA
 O/all width 448mm ; internal width 400mm ; stiles 60x24mm ; rungs 30x30 ; 280mm rise

GALV STEEL LADDERS & COMPONENTS		Ladder & Brackets only (no Hoops)					
Access Height (m) & Kit Code >>	Up to 1.96m KGLO196	1.97 - 2.80m KGLO280	2.81 - 3.64m KGLO364	3.64 - 5.60m KGLO560	5.61 - 7.28m KGLO728	7.29 - 8.40m KGLO840	8.41 - 9.24m KGLO924
Galv Ladder 1.96m 7R K5536	1	-	-	-	-	-	-
Galv Ladder 2.80m 10R K5543	-	1	-	2	-	3	2
Galv Ladder 3.64m 13R K5550	-	-	1	-	2	-	1
Wall Anchor 200mm std K5239	4	4	6	6	10	12	14
Single Stile Extension K5772	-	-	-	-	-	-	-
Safety Cage Hoop K5420	-	-	-	-	-	-	-
Safety Cage Strap 3.0m K5567	-	-	-	-	-	-	-
Exit Step 150mm K6267	-	-	-	-	-	-	-
Ladder Connector Single K5529	-	-	-	2	2	4	4
750mm Parapet Crossover K6311	-	-	-	-	-	-	-

customer to cut ladders to exact size on site
OPTIONS: factory cutting to required length ; painting ; installation All available on request - POA
 O/all width 500mm ; internal width 450mm ; stiles 50x25mm ; rungs 30x25 U profile ; 280mm rise

FIXED VERTICAL Access Ladders

STANDARD COMPLETE KITS — Walkthrough Only (no Hoops)

* Note: Fixed ladders above 3.0m should have hoops or arrestor device fitted unless risk assessment decides not suitable (no space etc).



ALLOY LADDERS & COMPONENTS		Walkthrough Only (no Hoops)					
Access Height (m) & Kit Code >>	Up to 1.96m HAWT196	1.97 - 2.80m HAWT280	2.81 - 3.64m HAWT364	3.65 - 5.60m HAWT560	5.61 - 7.28m HAWT728	7.29 - 8.40m HAWT840	8.41 - 9.24m HAWT924
Alloy Ladder 1.96m 7R H00904	-	1	-	1	-	1	-
Alloy Ladder 1.12m 4R H00906	1	-	-	-	-	-	-
Alloy Ladder 2.80m 10R H00907	-	-	1	1	1	2	3
Alloy Ladder 3.64m 13R H00909	-	-	-	-	1	-	-
Ladder Connector set H01022	-	-	-	1	1	2	2
Wall Hook 210mm std H50139	6	6	6	8	10	12	16
Narrow Straight Exit H53291	1	1	1	1	1	1	1
Wide Exit Cage Clamp H54050	-	-	-	-	-	-	-
Narrow Exit Cage Clamp 54051	-	-	-	-	-	-	-
Safety Cage Clamp H51600	-	-	-	-	-	-	-
Safety Cage Brace 3.0m H02272	-	-	-	-	-	-	-
Diagonal Brace H53340	-	-	-	-	-	-	-
Narrow Exit Step H54038	1	1	1	1	1	1	1
Plug H77059	-	-	-	-	-	-	-
Cage Brace Connector H50255	-	-	-	-	-	-	-
Wide Exit+ 725 Crossover H54056	-	-	-	-	-	-	-

customer to cut ladders to exact size on site
OPTIONS: factory cutting to required length ; painting ; installation All available on request - POA

O/all width 448mm ; internal width 400mm ; stiles 60x24mm ; rungs 30x30 ; 280mm rise

GALV STEEL LADDERS & COMPONENTS		Walkthrough Only (no Hoops)					
Access Height (m) & Kit Code >>	Up to 1.96m KGWT196	1.97 - 2.80m KGWT280	2.81 - 3.64m KGWT364	3.64 - 5.60m KGWT560	5.61 - 7.28m KGWT728	7.29 - 8.40m KGWT840	8.41 - 9.24m KGWT924
Galv Ladder 1.96m 7R K5536	1	-	-	-	-	-	-
Galv Ladder 2.80m 10R K5543	-	1	-	2	-	3	2
Galv Ladder 3.64m 13R K5550	-	-	1	-	2	-	1
Wall Anchor 200mm std K5239	4	4	6	6	10	12	14
Single Stile Extension K5772	2	2	2	2	2	2	2
Safety Cage Hoop K5420	-	-	-	-	-	-	-
Safety Cage Strap 3.0m K5567	-	-	-	-	-	-	-
Exit Step 150mm K6267	-	-	-	-	-	-	-
Ladder Connector Single K5529	-	-	-	2	2	4	4
750mm Parapet Crossover K6311	-	-	-	-	-	-	-

customer to cut ladders to exact size on site
OPTIONS: factory cutting to required length ; painting ; installation All available on request - POA

O/all width 500mm ; internal width 450mm ; stiles 50x25mm ; rungs 30x25 U profile ; 280mm rise

FIXED VERTICAL Access Ladders

STANDARD COMPLETE KITS — Overhead Roof Hatch Access (with Hoops)



ALLOY LADDERS & COMPONENTS		Overhead Roof Hatch Access (with Hoops)					
Access Height (m) & Kit Code >>	Up to 1.96	1.97 - 2.80m	2.81 - 3.64m HARH364	3.65 - 5.60m HARH560	5.61 - 7.28m HARH728	7.29 - 8.40m HARH840	8.41 - 9.24m HARH924
Alloy Ladder 1.96m 7R H00904	-	-	-	-	-	-	1
Alloy Ladder 1.12m 4R H00906	-	-	-	-	-	-	-
Alloy Ladder 2.80m 10R H00907	-	-	-	2	-	3	-
Alloy Ladder 3.64m 13R H00909	-	-	1	-	2	-	2
Ladder Connector set H01022	-	-	-	1	1	2	2
Wall Hook 210mm std H50139	-	-	6	8	10	10	12
Narrow Straight Exit H53291	-	-	-	-	-	-	-
Wide Exit Cage Clamp H54050	-	-	-	-	-	-	-
Narrow Exit Cage Clamp 54051	-	-	-	-	-	-	-
Safety Cage Clamp H51600	-	-	2	3	4	4	5
Safety Cage Brace 3.0m H02272	-	-	3	5	10	10	13
Diagonal Brace H53340	-	-	1	1	1	1	1
Narrow Exit Step H54038	-	-	-	-	-	-	-
Plug H77059	-	-	2	2	2	2	2
Cage Brace Connector H50255	-	-	-	-	5	5	10
Wide Exit + 725 Crossover H54056	-	-	-	-	-	-	-

customer to cut ladders to exact size on site
OPTIONS: factory cutting to required length ; painting ; installation All available on request - POA

O/all width 448mm ; internal width 400mm ; stiles 60x24mm ; rungs 30x30 ; 280mm rise ;
safety cages should start 2200mm—3000mm above base

GALV STEEL LADDERS & COMPONENTS		Overhead Roof Hatch Access (with Hoops)					
Access Height (m) & Kit Code >>	Up to 1.96	1.97 - 2.80m	2.81 - 3.64m KGRH364	3.64 - 5.60m KGRH560	5.61 - 7.28m KGRH728	7.29 - 8.40m KGRH840	8.41 - 9.24m KGRH924
Galv Ladder 1.96m 7R K5536	-	-	-	-	-	-	-
Galv Ladder 2.80m 10R K5543	-	-	-	2	-	3	2
Galv Ladder 3.64m 13R K5550	-	-	1	-	2	-	1
Wall Anchor 200mm std K5239	-	-	6	6	10	12	14
Single Stile Extension K5772	-	-	-	-	-	-	-
Safety Cage Hoop K5420	-	-	2	3	4	5	2
Safety Cage Strap 3.0m K5567	-	-	3	5	8	10	14
Exit Step 150mm K6267	-	-	-	-	-	-	-
Ladder Connector Single K5529	-	-	-	2	2	4	4
750mm Parapet Crossover K6311	-	-	-	-	-	-	-

customer to cut ladders to exact size on site
OPTIONS: factory cutting to required length ; painting ; installation All available on request - POA

O/all width 500mm ; internal width 450mm ; stiles 50x25mm ; rungs 30x25 U profile ; 280mm rise
safety cages should start 2200mm—3000mm above base

FIXED VERTICAL Access Ladders

STANDARD COMPLETE KITS — Roof Top Access (with Hoops)



ALLOY LADDERS & COMPONENTS		Roof Top Access (with Hoops)					
Access Height (m) & Kit Code >>	Up to 1.96	1.97 - 2.80m HARA280	2.81 - 3.64m HARA364	3.65 - 5.60m HARA560	5.61 - 7.28m HARA728	7.29 - 8.40m HARA840	8.41 - 9.24m HARA924
Alloy Ladder 1.96m 7R H00904	-	1	-	1	-	1	1
Alloy Ladder 1.12m 4R H00906	-	-	-	-	-	-	-
Alloy Ladder 2.80m 10R H00907	-	-	1	1	1	2	1
Alloy Ladder 3.64m 13R H00909	-	-	-	-	1	-	1
Ladder Connector set H01022	-	-	-	1	1	2	2
Wall Hook 210mm std H50139	-	6	6	8	10	10	12
Narrow Straight Exit H53291	-	1	1	1	1	1	1
Wide Exit Cage Clamp H54050	-	-	-	-	-	-	-
Narrow Exit Cage Clamp 54051	-	1	1	1	1	1	1
Safety Cage Clamp H51600	-	1	2	3	4	5	5
Safety Cage Brace 3.0m H02272	-	3	5	8	10	12	13
Diagonal Brace H53340	-	1	1	1	1	1	1
Narrow Exit Step H54038	-	1	1	1	1	1	1
Plug H77059	-	-	-	-	-	-	-
Cage Brace Connector H50255	-	-	-	5	5	10	10
Wide Exit + 725 Crossover H54056	-	-	-	-	-	-	-

customer to cut ladders to exact size on site
OPTIONS: factory cutting to required length ; painting ; installation All available on request - POA

O/all width 448mm ; internal width 400mm ; stiles 60x24mm ; rungs 30x30 ; 280mm rise
 safety cages should start 2200mm—3000mm above base

GALV STEEL LADDERS & COMPONENTS		Roof Top Access (with Hoops)					
Access Height (m) & Kit Code >>	Up to 1.96	1.97 - 2.80m KGRA280	2.81 - 3.64m KGRA364	3.64 - 5.60m KGRA560	5.61 - 7.28m KGRA728	7.29 - 8.40m KGRA840	8.41 - 9.24m KGRA924
Galv Ladder 1.96m 7R K5536	-	-	-	-	-	-	-
Galv Ladder 2.80m 10R K5543	-	1	-	2	-	3	2
Galv Ladder 3.64m 13R K5550	-	-	1	-	2	-	1
Wall Anchor 200mm std K5239	-	4	6	6	10	12	14
Single Stile Extension K5772	-	2	2	2	2	2	2
Safety Cage Hoop K5420	-	2	3	4	5	6	7
Safety Cage Strap 3.0m K5567	-	3	5	8	10	12	14
Exit Step 150mm K6267	-	-	-	-	-	-	-
Ladder Connector Single K5529	-	-	-	2	2	4	4
750mm Parapet Crossover K6311	-	-	-	-	-	-	-

customer to cut ladders to exact size on site
OPTIONS: factory cutting to required length ; painting ; installation All available on request - POA

O/all width 500mm ; internal width 450mm ; stiles 50x25mm ; rungs 30x25 U profile ; 280mm rise

Optional Extras include:
 Base Security Barriers
 Self-Closing Top Gates

Floor Brackets
 Various Wall Mountings
 Various Top Exit Platforms

Roof Exit Guardrails
 Intermediate Access Platforms
 Emergency Exit Ladders

www.ladders999.co.uk sales@ladders999.co.uk 01452 520144 Gloucester GL4 3SN



FIXED VERTICAL Access Ladders

STANDARD COMPLETE KITS — Roof Parapet (with Hoops & Crossovers)



ALLOY LADDERS & COMPONENTS		Roof Parapet (with Hoops & 750 Crossovers)					
Access Height (m) & Kit Code >>	Up to 1.96	1.97 - 2.80m HARP280	2.81 - 3.64m HARP364	3.65 - 5.60m HARP560	5.61 - 7.28m HARP728	7.29 - 8.40m HARP840	8.41 - 9.24m HARP924
Alloy Ladder 1.96m 7R H00904	-	1	-	1	-	1	-
Alloy Ladder 1.12m 4R H00906	-	-	-	-	-	-	-
Alloy Ladder 2.80m 10R H00907	-	-	1	1	1	2	3
Alloy Ladder 3.64m 13R H00909	-	-	-	-	1	-	-
Ladder Connector set H01022	-	-	-	1	1	2	2
Wall Hook 210mm std H50139	-	4	6	8	10	10	12
Narrow Straight Exit H53291	-	-	-	-	-	-	-
Wide Exit Safety Cage Clamp H54050	-	1	1	1	1	1	1
Narrow Exit Cage Clamp 54051	-	-	-	-	-	-	-
Safety Cage Clamp H51600	-	1	2	3	5	6	6
Safety Cage Brace 3.0m H02272	-	3	5	8	10	15	15
Diagonal Brace H53340	-	1	1	1	1	1	1
Narrow Exit Step H54038	-	-	-	-	-	-	-
Plug H77059	-	-	-	-	-	-	-
Cage Brace Connector H50255	-	-	-	5	5	10	10
Wide Exit + 725 Crossover H54056	-	1	1	1	1	1	1

customer to cut ladders to exact size on site
OPTIONS: factory cutting to required length ; painting ; installation All available on request - POA

O/all width 448mm ; internal width 400mm ; stiles 60x24mm ; rungs 30x30 ; 280mm rise
safety cages should start 2200mm—3000mm above base

GALV STEEL LADDERS & COMPONENTS		Roof Parapet (with Hoops & 750 Crossovers)					
Access Height (m) & Kit Code >>	Up to 1.96	Up to 2.80m	2.81 - 3.64m KGRP364	3.64 - 5.60m KGRP560	5.61 - 7.28m KGRP728	7.29 - 8.40m KGRP840	8.41 - 9.24m KGRP924
Galv Ladder 1.96m 7R K5536	-	-	-	-	-	-	-
Galv Ladder 2.80m 10R K5543	-	-	-	2	-	3	2
Galv Ladder 3.64m 13R K5550	-	-	1	-	2	-	1
Wall Anchor 200mm std K5239	-	-	6	6	10	12	14
Single Stile Extension K5772	-	-	-	-	-	-	-
Safety Cage Hoop K5420	-	-	3	4	5	6	7
Safety Cage Strap 3.0m K5567	-	-	5	8	10	12	14
Exit Step 150mm K6267	-	-	-	-	-	-	-
Ladder Connector Single K5529	-	-	-	2	2	4	4
750mm Clear Parapet Crossover K6311	-	-	1	1	1	1	1

customer to cut ladders to exact size on site
OPTIONS: factory cutting to required length ; painting ; installation All available on request - POA

O/all width 500mm ; internal width 450mm ; stiles 50x25mm ; rungs 30x25 U profile ; 280mm rise

Optional Extras include:
Base Security Barriers
Self-Closing Top Gates

Floor Brackets
Various Wall Mountings
Various Top Exit Platforms

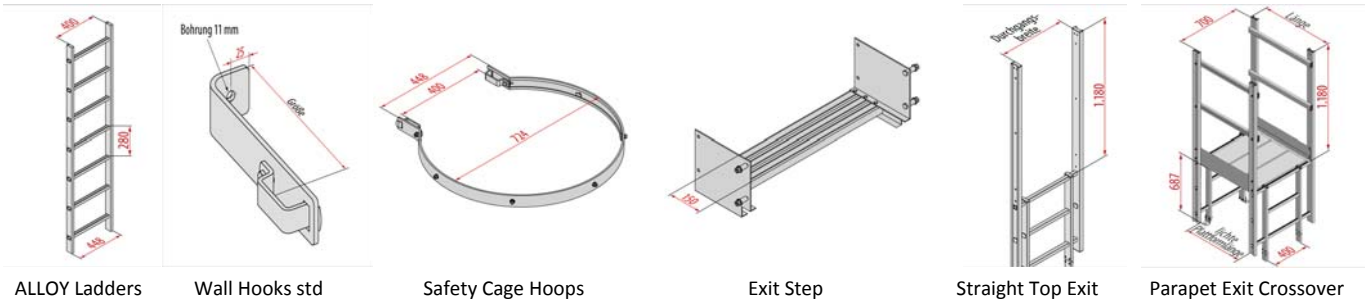
Roof Exit Guardrails
Intermediate Access Platforms
Emergency Exit Ladders

www.ladders999.co.uk sales@ladders999.co.uk 01452 520144 Gloucester GL4 3SN

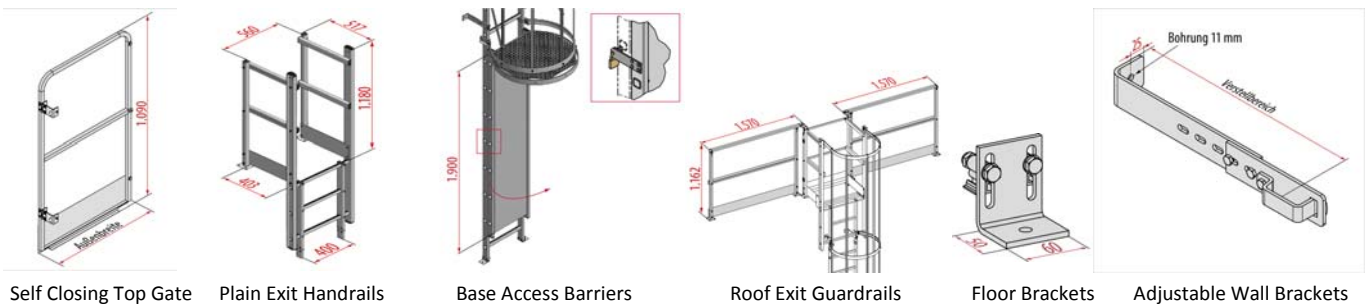


FIXED VERTICAL Access Ladders

Hymer ALLOY Ladders - Main Standard Components -



Hymer ALLOY Ladders - Main Optional Components -



Krause GALVANISED STEEL Ladders - Main Standard Components -



Krause GALVANISED STEEL Ladders - Main Optional Components -

