

## Hailo **Combi 500** Multifunction Alloy Tower



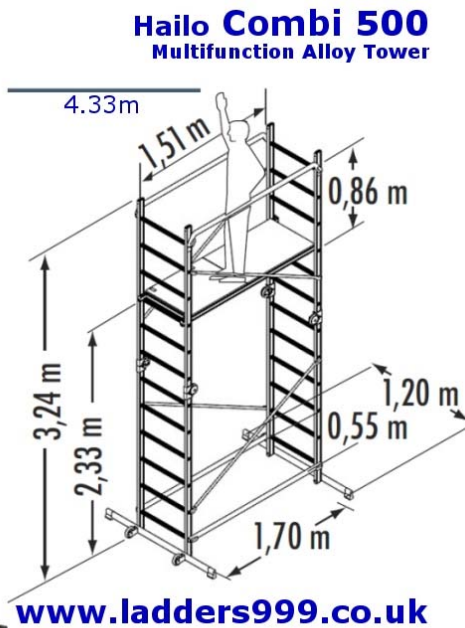
- ▶ The multipurpose aluminium scaffold with ingenious "Speed Lock" one-handed quick lock. Maximum working height of approx. 4.35 m.
- ▶ Scaffold and ladder in one
- ▶ Easy to handle and fitted with one-handed "Speed Lock" for lightweight, fast assembly
- ▶ Multipurpose: for use as a lean-to ladder and double ladder, as a small scaffolding unit for indoors and outdoors or as a platform for working
- ▶ Step adjustment option
- ▶ 2 ladder sections of 12 rungs (27 x 27 mm) with safety joints for locking/releasing the ladder sections
- ▶ Platform dimensions: 136 x 50 cm
- ▶ Working platform with access hatch (61 x 46 cm)
- ▶ 2 crosspieces incl. 2 transport castors
- ▶ 4 guard rails and 4 aluminium diagonal struts
- ▶ Upright dimensions: 60 x 22 mm
- ▶ Rung spacing: 260 mm
- ▶ Maximum load capacity 150 kg
- ▶ Rungs: 2 x 12
- ▶ Working height:
  - ▶ as scaffolding max. 435 cm,
  - ▶ as trestle ladder max. 285 cm,
  - ▶ as lean-to ladder max. 420 cm
- ▶ Weight: approx. 31.0 kg



**01452 520144**  
[www.ladders999.co.uk](http://www.ladders999.co.uk)



# Hailo **Combi 500** Multifunction Alloy Tower



See our excellent website at  
[www.ladders999.co.uk](http://www.ladders999.co.uk)

for prices of these and our huge range  
of ladders, steps, podium steps  
and scaffold towers



UNITS 2 & 10 CHANCEL CLOSE TRADING ESTATE  
EASTERN AVENUE **GLOUCESTER** GL4 3SN  
FAX : 01452 505580  
**TEL: 01452 520144**

All prices, details and specifications are subject to change without notice and are those ruling at date of order. E&OE.

[www.ladders999.co.uk](http://www.ladders999.co.uk) sales@lansfordaccess.co.uk