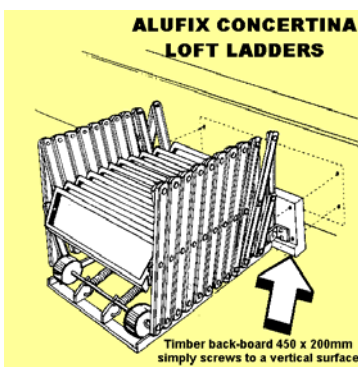


ALUFIX CONCERTINAL ALLOY LOFT LADDER



- ▶ IDEAL WHERE LOFT SPACE IS LIMITED - requires no clearance arc in loft behind trapdoor.
- ▶ Supported on a spring counterbalanced frame when stowed away.
- ▶ Easy to operate - rotate spring counterbalanced frame, lift ladder off frame and support as it extends to floor.
- ▶ Much more robust and rigid than it looks!
- ▶ Supplied fully assembled and very simple to install. Just screw timber back-board to joist above trapdoor hinges. Timber back-board dimensions 450 x 200mm W x H.
- ▶ Can also be fitted to a vertical wall, with or without a trapdoor. A 30mm thick stand-off block should be fixed behind the back-board to enable rotation into stored position when mounted on a wall.
- ▶ Large alloy treads are 3" (80mm) deep with heavily ribbed non-slip surface.
- ▶ Supplied with trapdoor hinges, trapdoor catch and operating pole hook.
- ▶ Packed size - 21" x 18" x 15"
- ▶ NOTE: heights are measured to CEILING (not Floor-to-Floor).



"ALUFIX CONCERTINA" ALLOY LOFT LADDERS

Code	Min & Max CEILING Heights	Loft Clearance Arc	Minimum Trapdoor Size W x L	No. Treads	Weight
LALU09	7' 1" - 7' 8" 2.15 - 2.32m	nil	20" x 24" 500 x 600mm	9	14kg
LALU10	7' 9" - 8' 5" 2.35 - 2.58m	nil	20" x 24" 500 x 600mm	10	16kg
LALU11	8' 6" - 9' 3" 2.59 - 2.82m	nil	20" x 24" 500 x 600mm	11	17kg

Normally in stock for FREE Next-Day delivery most UK mainland

A current, detailed
price list
can be printed from our web site
www.ladders999.co.uk

Please order at our national sales office in Bristol

All prices, details and specifications are subject to change without notice and are those ruling at date of order. E&OE.



HEAD OFFICE (HIRE & SALE)
UNIT 10 CHANCEL CLOSE
EASTERN AVENUE
GLOUCESTER GL4 3SN
FAX : 01452 308369

NATIONAL SALES OFFICE -
8A EAST PARK TRAD ESTATE
GORDON ROAD FISHPONDS
BRISTOL BS5 7DR
FAX : 0117 951 5682

TEL: 01452 520144 TEL: 0117 935 4664

www.ladders999.co.uk sales@lansfordaccess.co.uk