

Technical and Workplace Safety Guidance

Safety and Health Regulations for Ladders

Most workplace safety authorities have standards covering the use of ladders on job sites. Those standards are consistent and clear. Below are examples from some North American authorities. Make sure to check your local regulations before working.

OSHA:

Ladders shall be used only on stable and level surfaces unless secured to prevent accidental displacement (1926.1053)

Alberta OHS:

A worker must ensure that a portable ladder is secured against movement and placed on a base that is stable (S8 136.a)

CNESST Quebec:

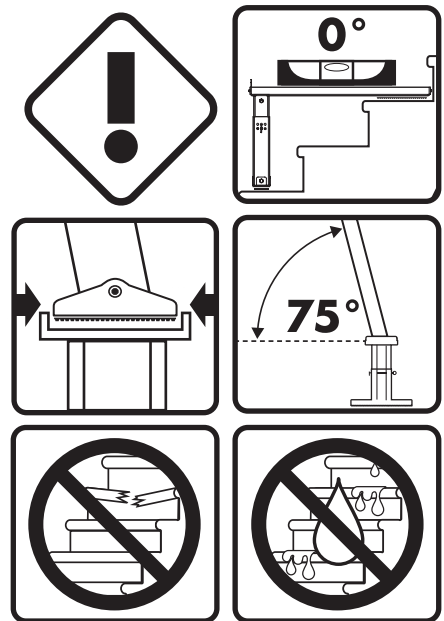
Toute échelle doit reposer sur une base solide et prendre appui, au sommet, sur ses 2 montants; (CSTC 3.5.6 a)

Ontario Ministry of Labour:

A portable ladder shall be placed on a firm footing (851 73.c)

WorkSafe BC:

A portable ladder must be placed on a firm and level surface (Division 2, 13.5 (1)a)



The Ladder-Aide SLM and Ladder-Aide PRO are designed to provide a stable, level, and secure base for ladders on stairs, when used in compliance with all related ladder safety guidelines such as those provided by the ladder manufacturer and your regional safety authority.

Additional guidance on the use of portable ladders

In addition to the broad requirements in the standards above, more specific guidance on the safe use of portable ladders can be found in supplementary materials like OSHA's *Portable Ladder Safety Quick Card*. This guidance is clear on when and how to use accessories like the Ladder-Aide:

- Only use ladders and appropriate accessories (ladder levelers, jacks or hooks) for their designed purposes.
- Use a ladder only on a stable and level surface, unless it has been secured (top or bottom) to prevent displacement.
- Do not place a ladder on boxes, barrels or other unstable bases to obtain additional height.

Is the Ladder-Aide CSA-approved?

Most safety authorities require approval of certain products by Nationally Recognized Testing Labs (NRTLs), like CSA or UL. For example, OSHA's list of products requiring NRTL approval is available here: <https://www.osha.gov/dts/otpca/nrtl/prodcatg.html>.

The Ladder-Aide does not require this approval, as it is not a ladder.

ANSI defines a ladder accessory as "A device which may be factory installed by a ladder manufacturer or field installed and which may expand its function, utility and safety"

Since the Ladder-Aide does not need to be installed, it is not considered an accessory. As such, there is no CSA approval category for this type of product.

We designed the Ladder-Aides to handle OSHA and ANSI/ASC load standards for ladders, and tested using their guidelines:

ANSI ASC A14.2-2007: Portable Metal Ladder Safety Requirements

IDEAL Security Inc.

Table 11: Hardware Test

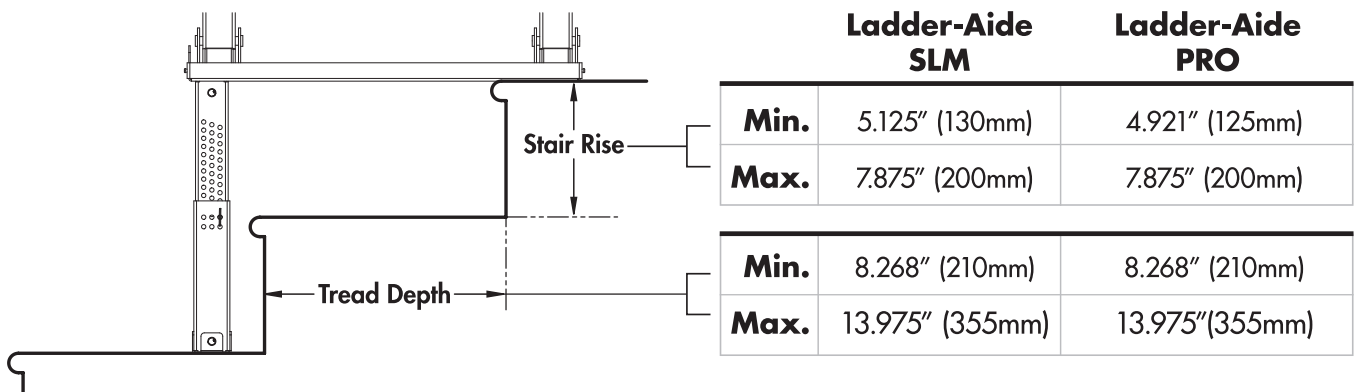
Engineering Test Results

Ladder Grade	Test Load (kg)	Test Load (lb)	Ladder-Aide SLM	Ladder-Aide PRO
I	450	1000	PASSED Tested to 1000 lbs.	PASSED Tested to 1500 lbs.
II	410	900		
III	360	800		

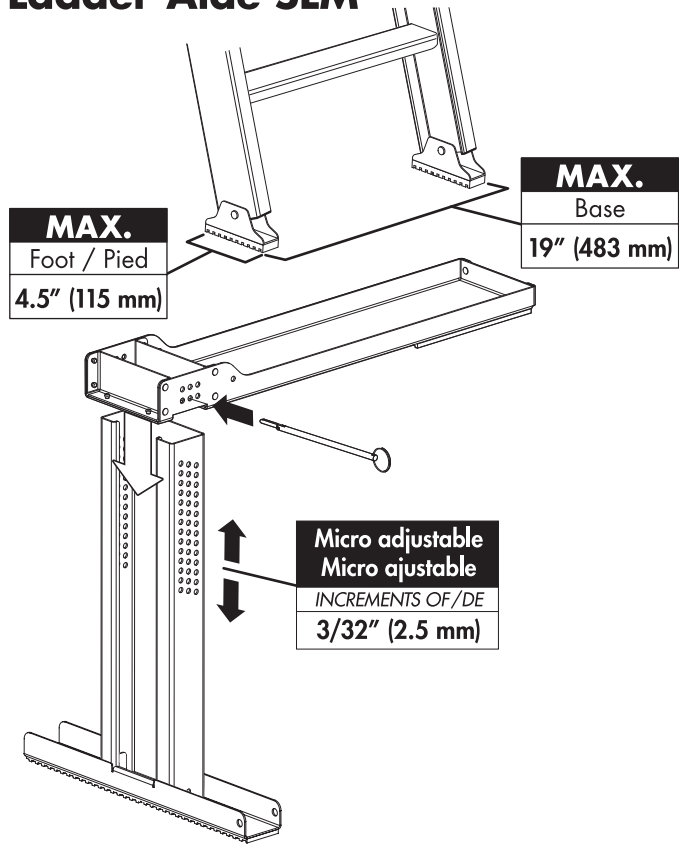
We designed the **Ladder-Aide SLM** and **Ladder-Aide PRO** for use with the following ladder types:

Ladder Type	Duty Rating	Rated Use	Ladder-Aide SLM	Ladder-Aide PRO
IAA	375 lbs	Super-heavy / special duty		●
IA	300 lbs	Extra-heavy / special duty		●
I	250 lbs	Heavy duty industrial		●
II	225 lbs	Medium duty commercial	●	●
III	200 lbs	Light household duty	●	●

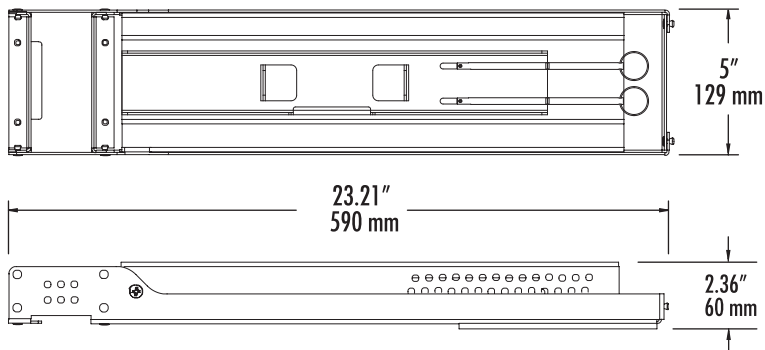
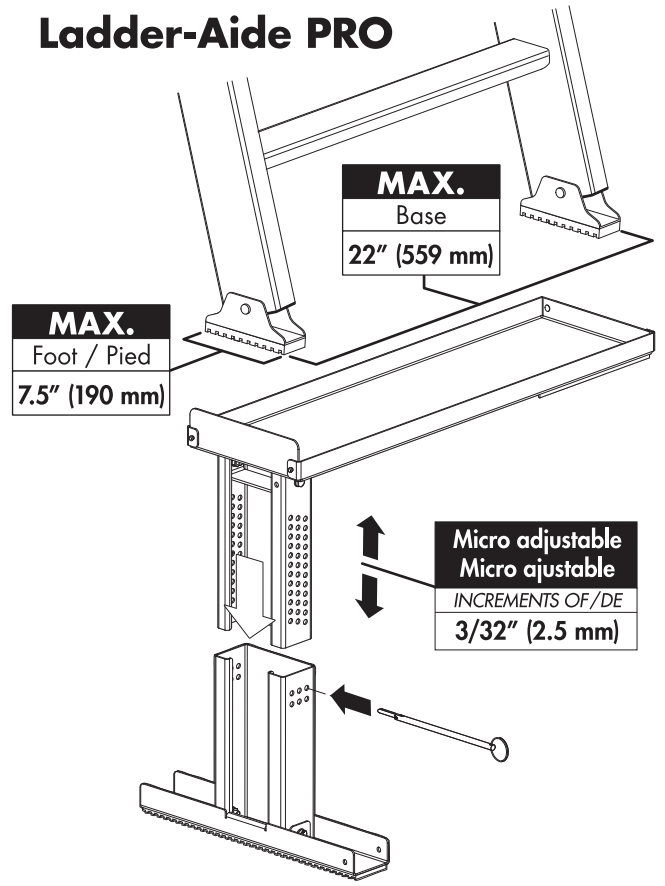
We designed **Ladder-Aide** to be used on stairs that meet the **National Building Code of Canada**



Ladder-Aide SLM



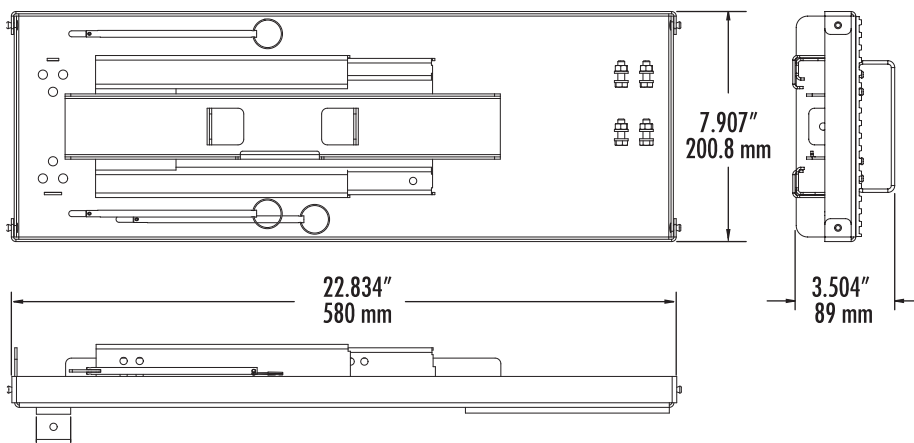
Ladder-Aide PRO



Ladder-Aide SLM

Total packed weight:
Poids total emballé:

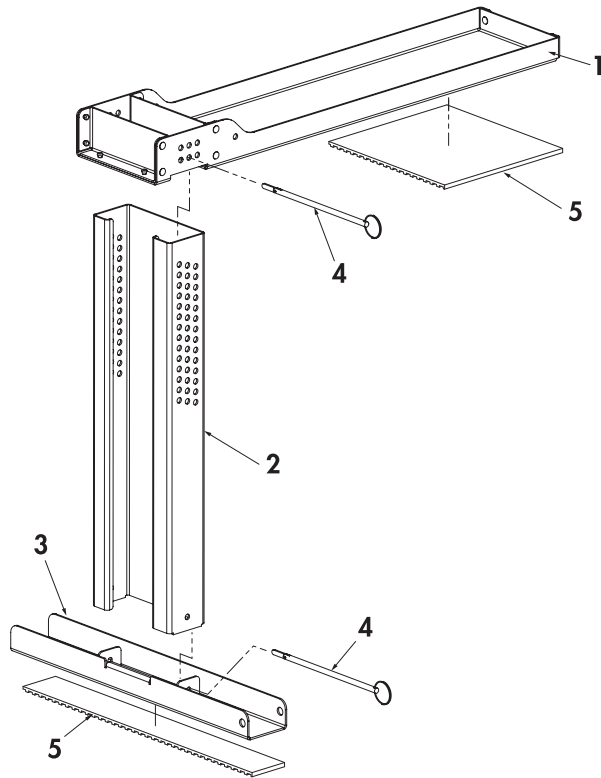
10.5 lbs (4.8 kg)



Ladder-Aide PRO

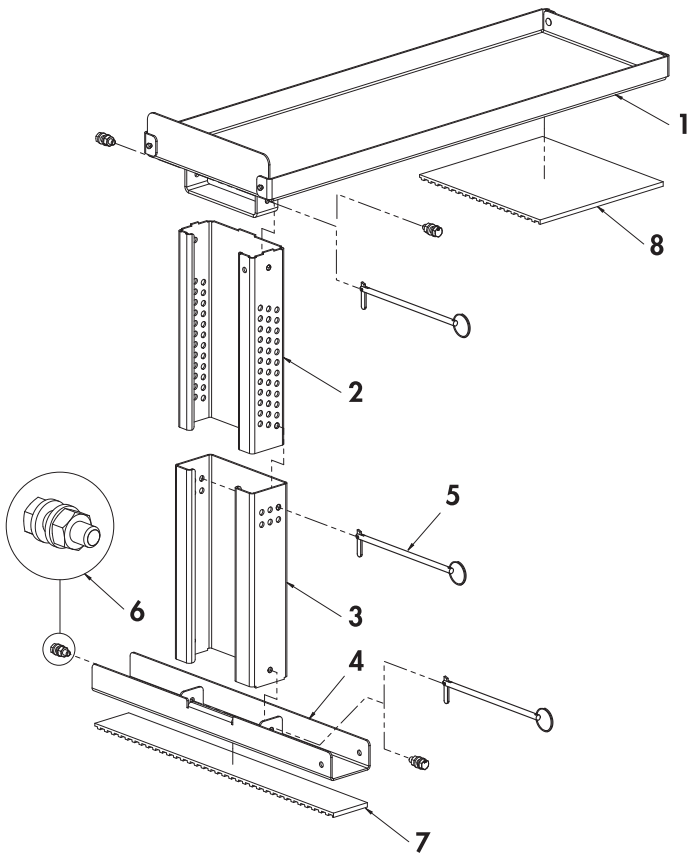
Total packed weight:
Poids total emballé:

13 lbs. (5.9 kg)



Ladder-Aide SLM

ITEM	DESCRIPTION	QTY.
1	PLATFORM PLATEFORME	1
2	UP-RIGHT VERTICALE	1
3	STABILIZER BASE BASE STABILISATRICE	1
4	DROP NOSE PIN (6mm) GOUPILLE (6mm)	2
5	RUBBER ANTI-SLIP PAD (Permanently bonded) CAOUTCHOUC ANTIDÉRAPANT (Adhesion permanente)	2



Ladder-Aide PRO

ITEM	DESCRIPTION	QTY.
1	PLATFORM PLATEFORME	1
2	UP-RIGHT TOP VERTICALE HAUT	1
3	UP-RIGHT BOTTOM VERTICALE BAS	1
4	STABILIZER BASE BASE STABILISATRICE	1
5	DROP NOSE PIN (6mm) GOUPILLE (6mm)	3
6	M6 HEX BOLT ASSEMBLY (1 Bolt, 1 Nut, 2 Washers) ASSEMBLAGE BOULON HEX M6 (1 Boulon, 1 Écrou, 2 Rondelles)	4
7	RUBBER ANTI-SLIP PAD CAOUTCHOUC ANTIDÉRAPANT	1
8	RUBBER ANTI-SLIP PAD CAOUTCHOUC ANTIDÉRAPANT	1