



TOWER

- › One person erect and dismantle
- › Easy transport & storage pack
- › Compact
- › Strong
- › Small footprint
- › Working heights of 4m, 5m and 6m
- › TUV certified to EN1004 Class 3
- › Simple
- › Safe
- › Tested
- › EN1004 & ISO9001 Approved

MiTOWER is a versatile and high quality one-man access tower designed in accordance with the latest testing and quality standards

www.ladders999.co.uk

Mi TOWER

One Man
EN1004 Alloy
Access Tower



One Person



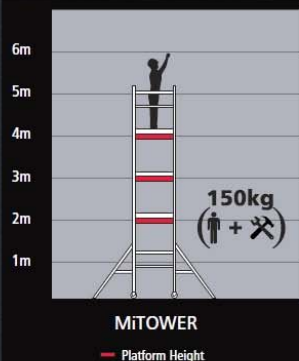
Easy To Transport



Strong



Compact



Specifications	Working Heights		
	4m	5m	6m
Overall Length (mm)	1170	1170	1170
Overall Width (mm)	728	728	728
Overall Height (m)	3	4	5
Platform Dimensions (mm)	1021 x 610	1021 x 610	1021 x 610
Platform Height (m)	2	3	4
Gross Weight (kg)	77	99	110
Stabiliser Footprint (m)	2.8(l) x 2.4(w)	2.8(l) x 2.4(w)	2.8(l) x 2.4(w)

See our excellent website at
www.ladders999.co.uk

for prices of these and our huge range
of ladders, steps, podium steps
and scaffold towers



UNITS 2 & 10 CHANCEL CLOSE TRADING ESTATE
EASTERN AVENUE **GLOUCESTER** GL4 3SN
FAX : 01452 505580
TEL: 01452 520144

www.ladders999.co.uk sales@lansfordaccess.co.uk

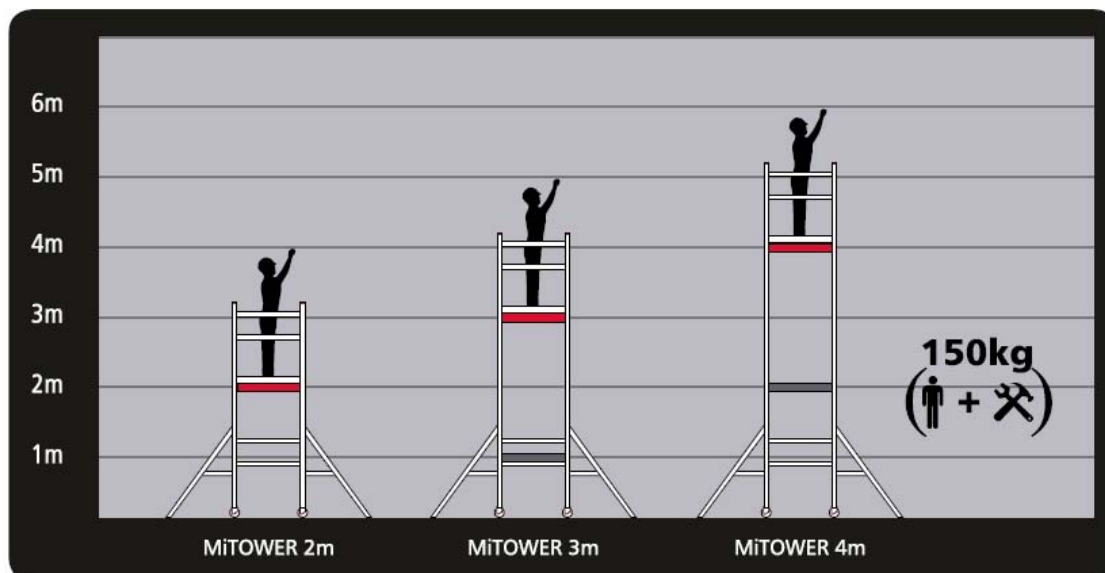


MiTOWER

One Man
EN1004 Alloy
Access Tower

COMPONENT MATRIX AND WEIGHTS

Description	Weight (Unit) kg	2m qty	3m qty	4m qty
4 Rung Frame	3.58	6	8	10
Telescopic Outrigger	3.58	4	4	4
Hatch Platform	8.56	1	2	2
Guardrail Brace Panel	3.34	4	6	7
220mm Adjustable Leg	0.85	4	4	4
125mm Locking Castor	2.50	4	4	4
Toe Board Set	5.33	1	1	1
MiTOWER Weight (kg)		76.45	98.85	109.35
Platform Safe Working Load		150kg	150kg	150kg



See our excellent website at
www.ladders999.co.uk

for prices of these and our huge range
of ladders, steps, podium steps
and scaffold towers



UNITS 2 & 10 CHANCEL CLOSE TRADING ESTATE
EASTERN AVENUE **GLOUCESTER** GL4 3SN
FAX : 01452 505580
TEL: 01452 520144

www.ladders999.co.uk sales@lansfordaccess.co.uk

Mi TOWER ⁺ PLUS



One Man Build Tower



Two Man Use Tower



<15 Mins Assembly



Safe Assembly



Strong & Robust



Small Footprint



Up to 8m



evolution



FIRST ONE MAN QUICK-ASSEMBLY ACCESS TOWER FOR USE BY TWO MEN



EASY TO TRANSPORT



EASY TO MOVE



SCAN TO SEE MORE



COMPACT TROLLEY



TROLLEY IS TOWER BASE

See our excellent website at
www.ladders999.co.uk
 for prices of these and our huge range
 of ladders, steps, podium steps
 and scaffold towers



01452 520144

www.ladders999.co.uk

All prices, details and specifications are subject to change without notice and are those ruling at date of order. E&OE.



TOWER+

PLUS

TWO man tower : 450mm longer : optional 2m taller



Easy-hang hangers



Two Man Use



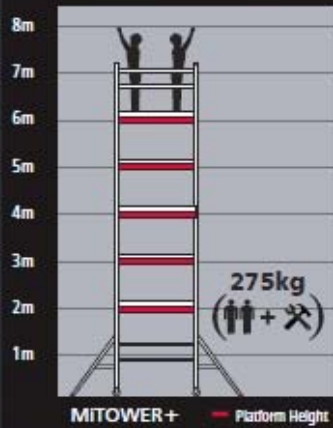
Easy-clip frame clips



Easy-lock stabilisers



Strong & Robust



Specifications	Working Heights				
	4m	5m	6m	7m	8m
Overall Length (mm)	1620	1620	1620	1620	1620
Overall Width (mm)	728	728	728	728	728
Overall Height (m)	3	4	5	6	7
Platform Dimensions (mm)	1472 x 610	1472 x 610	1472 x 610	1472 x 610	1472 x 610
Platform Height (m)	2	3	4	5	6
Gross Weight (kg)	88	115	126	154	165
Stabiliser Footprint (m)	3.9(l) x 3.1(w)	3.9(l) x 3.1(w)	3.9(l) x 3.1(w)	3.9(l) x 3.1(w)	3.9(l) x 3.1(w)

See our excellent website at
www.ladders999.co.uk

for prices of these and our huge range
of ladders, steps, podium steps
and scaffold towers



01452 520144

www.ladders999.co.uk

All prices, details and specifications are subject to change without notice and are those ruling at date of order. E&OE.