



## PRODEK Folding Platform

Instruction/Safety Manual Self Closing Mobile 1 Person Low Level Working Platform

Maximum safety working load 150Kg

For more information, please contact us via:

Phone: 01452 915036

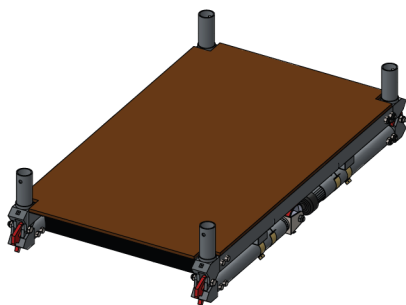
Email: [sales@ladders999.co.uk](mailto:sales@ladders999.co.uk)

Website: [www.ladders999.co.uk](http://www.ladders999.co.uk)

**Always** carry out a risk assessment for each task before you start work, to ensure PRODEK Folding Platform is the correct mode of access for the task that is being undertaken.



1. With PRODEK closed, lift into position on a flat level surface.



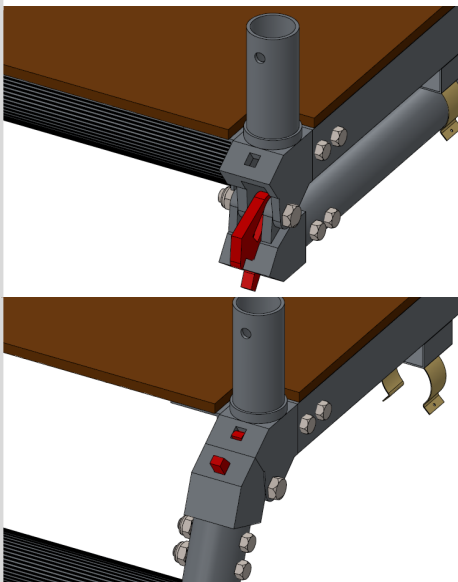
2. Unfold ladder legs one side at a time.



3. Unfold ladder legs one side at a time.



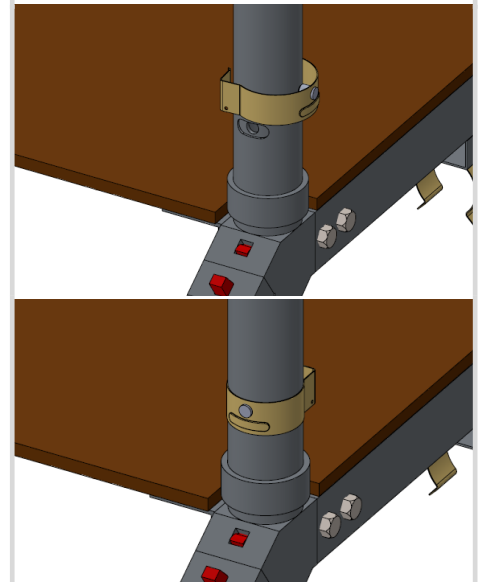
4. Ensure the locking hinge has engaged at the top of each leg



5. Place side rail verts onto the spigots from the base



6. Rotate frame clip and use to secure side to platform.



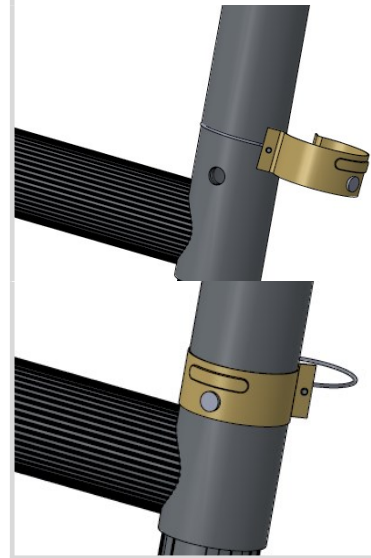
7. Repeat for second side rail



8. Close gate with firm push to lock into place. Depress latch to open again



9. Adjust length by removing clip on leg, move to new position and re-insert clip to secure.



10. Lowest Platform height 575mm



11. Medium Platform height 690mm



12. Tallest Platform height 810mm



**Component List:**

1 x Deck

2 x Deck Rail

All replacements can be purchased directly from Lansford Access Ltd

Units 2 & 10 Chancel Close Trading Estate

Eastern Avenue

Gloucester

GL4 3SN

Tel: 01452 915006

www.ladders-999.co.uk



Read the instructions



Do not use on loose or slippery surfaces



Do not overreach



Never stand on the access ladder to work



Inspect before use



Do not use damaged equipment



Never use as a means of access to another place



Beware of finger traps where these potentially exist



**Ladders999**  
Lansford Access Ltd

 **MADE IN BRITAIN**