



ZARGES



## The new LiftMaster 4.3 U

Get up to a working height of  
4.3 m in no time.



[www.zarges.com](http://www.zarges.com)

supplied by : Ladders999

[www.ladders999.co.uk](http://www.ladders999.co.uk)

01452 520144



# Mobile, safe and easy to use – no electricity required.

Thanks to its lightweight design and smooth-rolling castors, the new ZARGES **LiftMaster 4.3 U** can be moved effortlessly from point A to B. It also folds down to a compact size measuring 120 x 165 x 74 cm and fits easily into any small van. Work safely at heights – wherever and whenever you need to.

The highlight: No batteries or power supply are required at the place of use. The lift can be adjusted to the desired working height by turning the handle. Very little manual force is required to operate the lifting mechanism.



**PPE attachment point**  
for your PPE (required according to EN 280).



**Hand crank**  
Working height can be quickly adjusted – no batteries or power supply required.



**Alternative method of operation**  
The lifting mechanism can be turned using a conventional cordless screwdriver.



**Padding**  
prevents damage to walls.



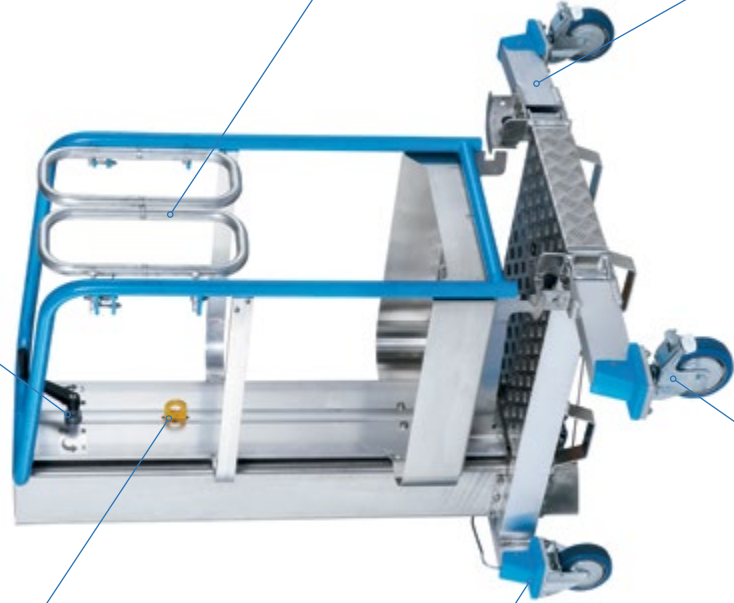
**Self-closing safety gate**  
with spring-loaded hinges. Easy entry with 4-sided guardrail.



**Smooth-running castors**  
with easy-to-use locking brakes.



**Base stability**  
with quick fold-out stabilisers with locking mechanism.



# Get the job done quickly.

Operating a lift has never been so easy: The **LiftMaster 4.3 U** does not require any electricity or batteries; simply turn the handle to elevate the lift to the desired working height. Thanks to its innovative, yet simple design, it is always ready for use and requires very little maintenance.

The **LiftMaster 4.3 U** also excels in terms of its sturdy construction and exceptional safety features. Unlike with ladders, the user is already protected inside the lift even before adjusting the platform height. An all-round guardrail protects the user from start to finish – thus giving the user peace of mind to concentrate fully on their work.



Easy to move



Comfortable entry



Platform height of 0.46 m... .. up to max. 2.30 m



Fits through doorways.



Always ready for use – it can be operated without electricity or batteries thanks to the hand crank.



## Technical specifications of LiftMaster 4.3 U

Max. working height approx. m	4.30
Max. platform height m	2.30
Height, retracted m	1.65
Width, retracted m	0.74
Depth m	1.20
Cage dimensions (W x D) m	0.60 x 0.70
Max. Base area m	1.65 x 1.20
Weight kg	165.0
Max. perm. load kg	120.0
Point load per castor kN	0.8
Max. perm. angle of inclination	0
Drive	manual
Order no.	<b>54989</b>